



SunWave Smoke Hatch

Firestone Item Numbers:

Non UL Rated (UL)		
W56RACDL60	SH - 4'x4' - 10 lbf	1.2 m x 1.2 m – 40.4 N
W56RACDL61	SH - 4'x4' - 25 lbf	1.2 m x 1.2 m – 110 N
W56RACDL62	SH - 4'x4' - 30 lbf	1.2 m x 1.2 m – 132 N
Polycarbonate		
W56RACDL63	SH - 4'x4' - 10 lbf	1.2 m x 1.2 m – 40.4 N
W56RACDL73	SH - 4'x4' - 25 lbf	1.2 m x 1.2 m – 110 N
W56RACDL74	SH - 4'x4' - 30 lbf	1.2 m x 1.2 m – 132 N
UL Rated (UL)		
W56RACDL30	SH - 4'x8' - 10 lbf	1.2 m x 2.4 m – 40.4 N
W56RACDL31	SH - 4'x8' - 25 lbf	1.2 m x 2.4 m – 110 N
W56RACDL32	SH - 4'x8' - 30 lbf	1.2 m x 2.4 m – 132 N
Polycarbonate		
W56RACDL33	SH - 4'x8' - 10 lbf	1.2 m x 2.4 m – 40.4 N
W56RACDL75	SH - 4'x8' - 25 lbf	1.2 m x 2.4 m – 110 N
W56RACDL76	SH - 4'x8' - 30 lbf	1.2 m x 2.4 m – 132 N
W56RACDL34	SH - 5'x6' - 10 lbf	1.5 m x 1.8 m – 40.4 N
W56RACDL35	SH - 5'x6' - 25 lbf	1.5 m x 1.8 m – 110 N
W56RACDL36	SH - 5'x6' - 30 lbf	1.5 m x 1.8 m – 132 N
Polycarbonate		
W56RACDL37	SH - 5'x6' - 10 lbf	1.5 m x 1.8 m – 40.4 N
W56RACDL77	SH - 5'x6' - 25 lbf	1.5 m x 1.8 m – 110 N
W56RACDL78	SH - 5'x6' - 30 lbf	1.5 m x 1.8 m – 132 N

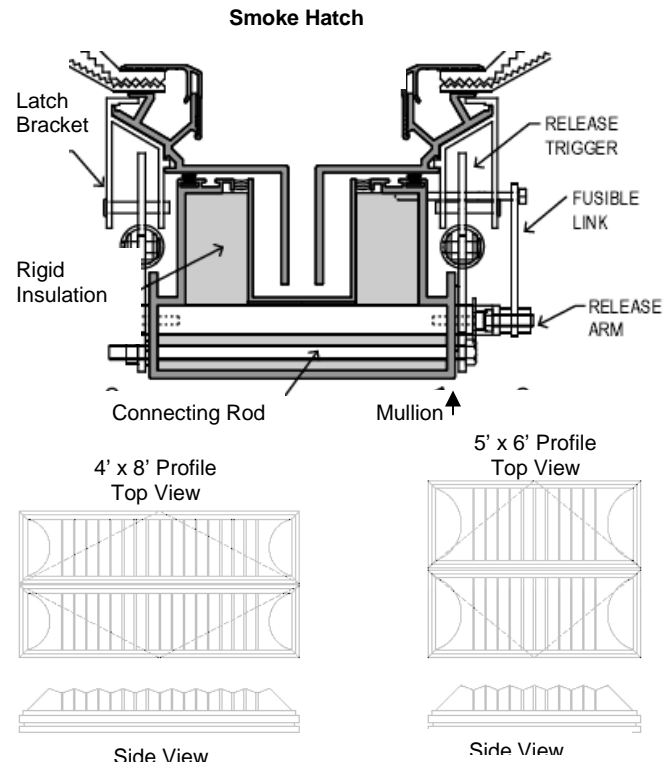
- A SunWave Smoke Hatch is available to use with two Firestone SunWave Domes side-by-side providing both fire safety and daylighting.
- 10, 25, 30 lbf rating = Live load resistance for operation of spring loaded mechanism in smoke hatch.
- Fusible Link – Activation temperatures to specify include: 165 °F (73.9 °C), 212 °F (100 °C), 286 °F (141 °C), 370 °F (188 °C), or 386 °F (197 °C)

METHOD OF APPLICATION:

- Install in accordance with current Firestone specifications, details, and workmanship requirements.
- Substrates must be clean, dry, smooth, and free of sharp edges, fins, loose or foreign materials, oil, and grease.

STORAGE:

- Store products in manufacturer's unopened packaging until ready for installation.
- Store and dispose of hazardous materials, and materials contaminated by hazardous materials, in accordance with requirements of local authorities having jurisdiction.



SunWave

DESIGN SPECIFICATIONS:

- Smoke Hatch frames shall be fabricated from 6063 T5 aluminum, finish to be natural mill.
- Frames shall have integral condensation and weepage gutters which drain interior moisture to the outside.
- Corners shall be mitered and welded.
- The acrylic glazing shall be separated from the skylight frame with a Silicon Seal.
- Smoke Hatches shall operate by a fusible link with a minimum temperature rating of 386 °F (196.7 °C).
- The fusible link mechanism with Gas Shocks shall include an exterior manual release cable for testing.
- Smoke Hatches shall open to a minimum angle of 105 degrees.

This sheet is meant to highlight Firestone's products and specifications and is subject to change without notice. Firestone takes responsibility for furnishing quality materials, which meet Firestone's published product specifications. Neither Firestone nor its representatives practice architecture. Firestone offers no opinion on and expressly disclaims any responsibility for the soundness of any structure. Firestone accepts no liability for structural failure or resultant damages. Consult a competent structural engineer prior to installation if the structural soundness or structural ability to properly support a planned installation is in question. No Firestone representative is authorized to vary this disclaimer.

Firestone Building Products Company
250 W. 96th Street, Indianapolis, IN 46260
Sales: (800) 428-4442 • Technical (800) 428-4511
www.firestonebpc.com